

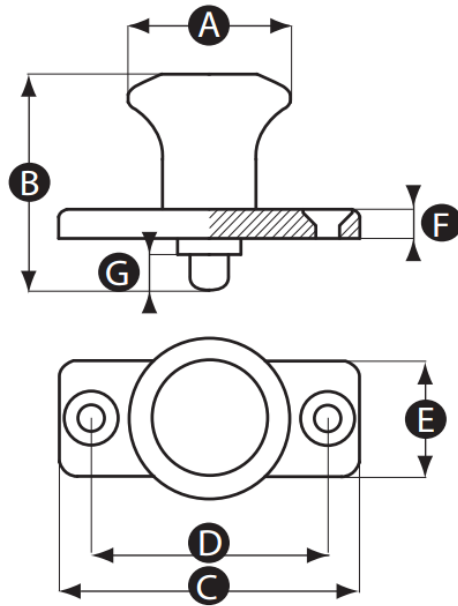
G03IP Index Plunger With Rest Position And Fixing Plate

Features

- Spring loaded thermoplastic black knob and zinc plated steel fixing plate
- Available with or without 90 degree rest position

Material

- Knob: High impact resistant thermoplastic, matt black
- Fixing plate: Zinc plated cast zinc



Part No.	A	B	C	D	E	F	G	Plunger Diameter	Rest Position	Initiating Force	Force for Full Retraction
G03IP-11819R	25	37	40	30	18	4.5	6	6	No	16 N	37 N
G03IP-11820Y									Yes	6 N	20 N
G03IP-11823X	31	44	46	34	20	5.5	8	8	No	8 N	27 N
G03IP-11824T									Yes		